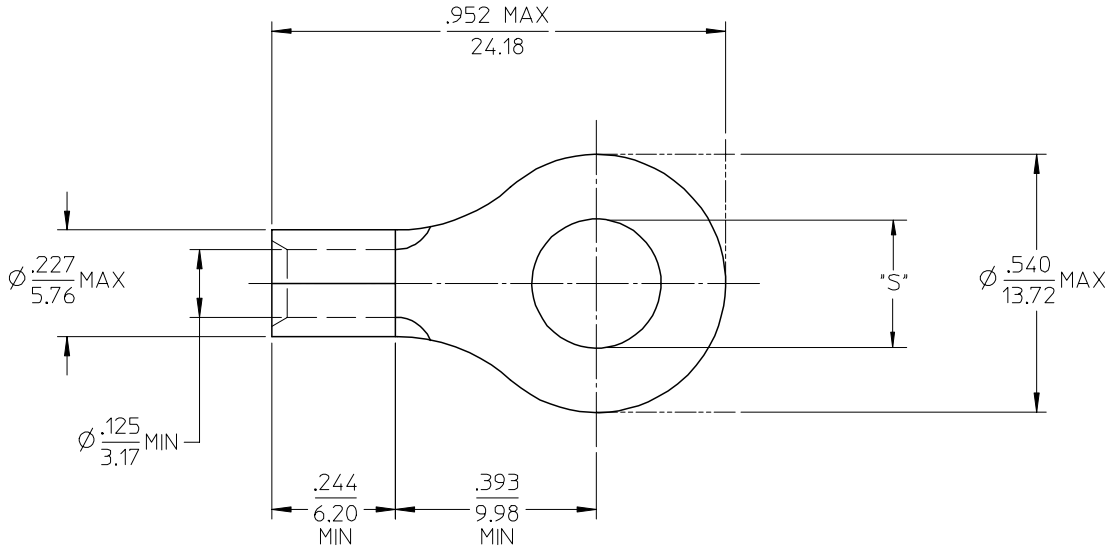
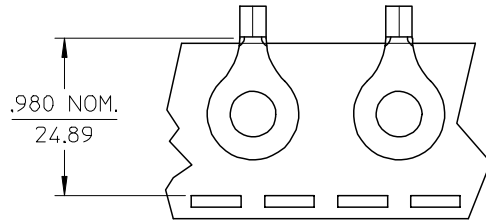


MATERIAL NO. LOOSE PIECE	ENG. NO.	MATERIAL NO. TAPE MOUNTED	ENG. NO.	STUD SIZE	±.003 "S"	STOCK THICKNESS
191930114	C-330-10	191930115	C-330-10T	10	.198	.040 (1.02)
191930116	C-330-14	191930118	C-330-14T	1/4	.265	
191930120	C-330-56	191930122	C-330-56T	5/16	.328	



SALES DRAWING

- NOTE(S):
1. MATERIAL: COPPER
 2. PLATING: ELECTROPLATE TIN
 3. ALL DIMENSIONS IN INCHES/(MM).
 4. WIRE SIZE: 12-10 AWG
4.0-6.0 MM²

REVISED/UPDATE TO MX STD EC NO: ETC2003-0315 DRWN:DMYRICK 2003/08/20 CHKD:HEB 2003/08/21 APPR:RDEROSS 2003/08/21	QUALITY SYMBOLS ▽ = 0 ▽ = 0	GENERAL TOLERANCES (UNLESS SPECIFIED)		SCALE 4:1	DESIGN UNITS INCH	THIRD ANGLE PROJECTION	REVISE ON CAD ONLY	
			mm	INCH	DIMENSION STYLE IN/MM		TITLE	
		4 PLACES	± ---	± ---	DRAWN BY DLM	DATE 03/06/13	RING TONGUE TERMINAL VERSAKRIMP 12-10 AWG	
		3 PLACES	± ---	± .005	CHECKED BY HEB	DATE 03/06/13	Molex MOLEX INCORPORATED	
		2 PLACES	± 0.13	± .01	APPROVED BY RWD	DATE 03/06/13	MATERIAL NO. (SEE CHART)	
		1 PLACE	± 0.25	± ---	DOCUMENT NO. SD-19193-024		SHEET NO. 1 OF 1	
		ANGULAR ± 1/2°		DRAFT WHERE APPLICABLE		THIS DRAWING CONTAINS INFORMATION THAT IS PROPRIETARY TO MOLEX INCORPORATED AND SHOULD NOT BE USED WITHOUT WRITTEN PERMISSION		
		MUST REMAIN WITHIN DIMENSIONS						